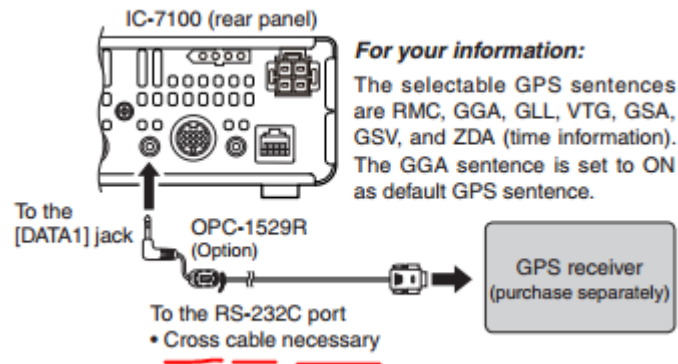


# Connecting the IC-7100 to the Uniden GPS antenna/receiver using standard connections and connectors

de kz1o

Everything is included for this hookup except for a gender changer and null modem adapter. A single piece part which performs this can be purchased from Amazon for \$7 (actually you get two for that price).

From the IC-7100 manual:



And this is the antenna / receiver:



To connect the 9-pin serial connector from the antenna, to the 9-pin serial connector from the 7100 adapter (OPC-1529R) which are both female DB9 connectors, you need a gender changer and a null-modem function (which switches the TX and RX data lines). The minimal way of doing this is with an adapter which does both functions, available from many places. Here is one:



(thanks to “Cables Online” for this graphic. See <http://www.cablesonline.com/> ) I purchased mine from Amazon.com – search for this model: AD-N05M-2

Connect this up in the only way it will plug together. There is only one 2.5mm jack on the back of the 7100. And the two female DB9’s will only plug into the gender changer. (Note: your Uniden antenna might come with a separate cable which goes to their scanner/receiver product. You won’t be using that for anything here, but if you plan to use it with your scanner – like my HomePatrol – then be sure to keep it handy.)

Connect power to the antenna/receiver through the cig lighter plug. *In my setup, everything gets power from Anderson Powerpoles, and I have a short cable that goes from Anderson to cig lighter socket. Your setup may be different.*

With this setup you will probably have a lot of cable left over. Use tie wraps or something similar to make neat loops for this cable and tuck it anywhere it’s out of the way. Remember that you will be transmitting nearby and that these cables can act as antennas, feeding undesired RF into your data connections. Use standard good practices with these cables, as well as your entire IC-7100 installation.

Once everything is connected, refer to the IC-7100 manual for setup of the GPS functions, and this will depend on how you want to use this functionality. Also, refer to online user experience to see if you are about to make the same mistakes that other people have already done. One thing that irritates people is setting your beaconing to be too frequent, or unattended, or to happen when you are not normally talking to someone. Just be sure that your setup is doing what you want it to do.

There are more straightforward ways of doing this, which involve wire cutters and a soldering iron. All you need to do is to get the NMEA data between the 2.5mm jack on the back of the radio and the data line of the GPS receiver. But this article describes how to do it without those mods. It’s up to you how you do it.

Good luck! And 73,

Dave KZ1O



This work is licensed under a [Creative Commons Attribution-NonCommercial-ShareAlike 3.0 United States License](https://creativecommons.org/licenses/by-nc-sa/3.0/us/).